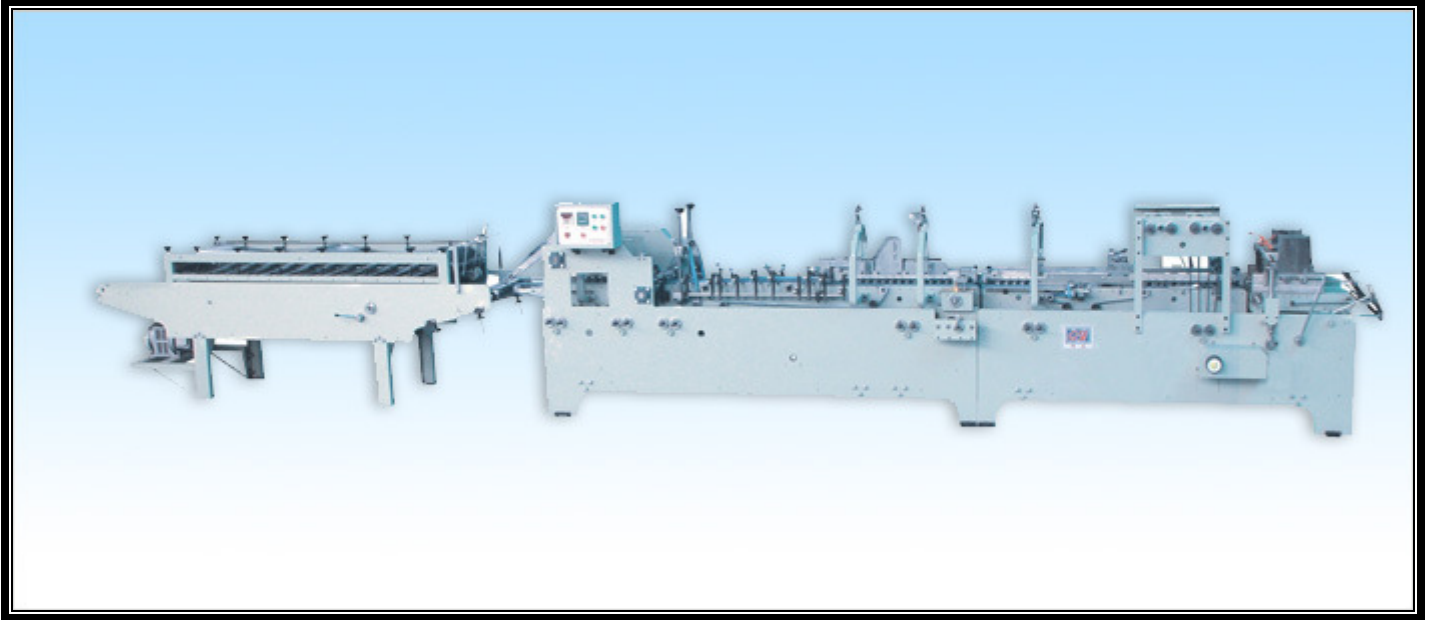


ROYO MACHINERY



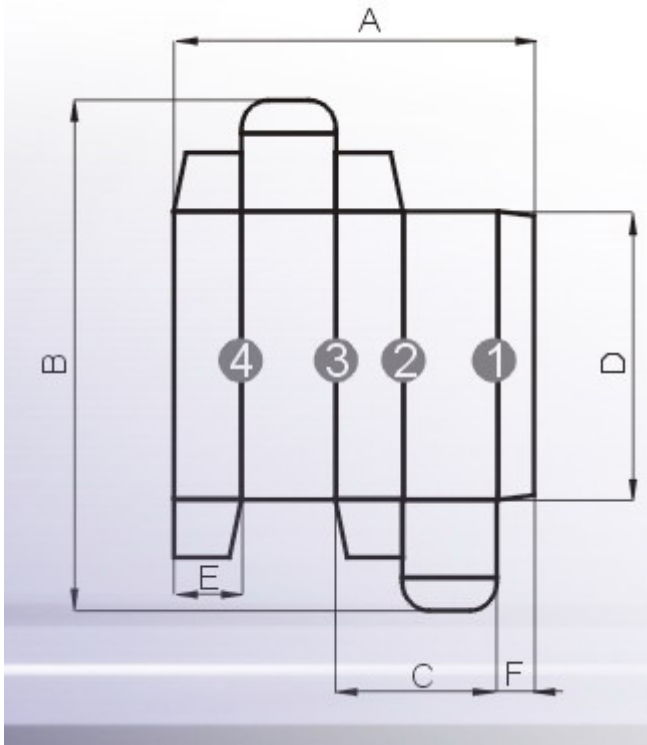
Name : RG-880C Series High-speed Automatic Folder Gluer

Features: On the basis of RG880A, automatic pre-folding unit is added to the machine to make the processing speed of gluing, folding, conglutinating and shaping much faster.

Technical parameters:



ROYO MACHINERY



RG-880C		Standard folding boxes size	A	MAX	700
Model	RG-880C			MIN	90
Max Paper SizeL×W(mm)	700×700		B	MAX	700
Mix Paper SizeL×W(mm)	90×80			MIN	80
Speed Range(m/min)	0-180		C	MAX	300
Paper Range(g/m ²)	200-700			MIN	60
Total Power(kw)	4.75		D	MAX	700
Weight(t)	2.5			MIN	60
Functions	Standard Folding		E	MAX	180
	135° pre-folding for the first line	MIN		10	
	90° pre-folding for the third line	F		MAX	30